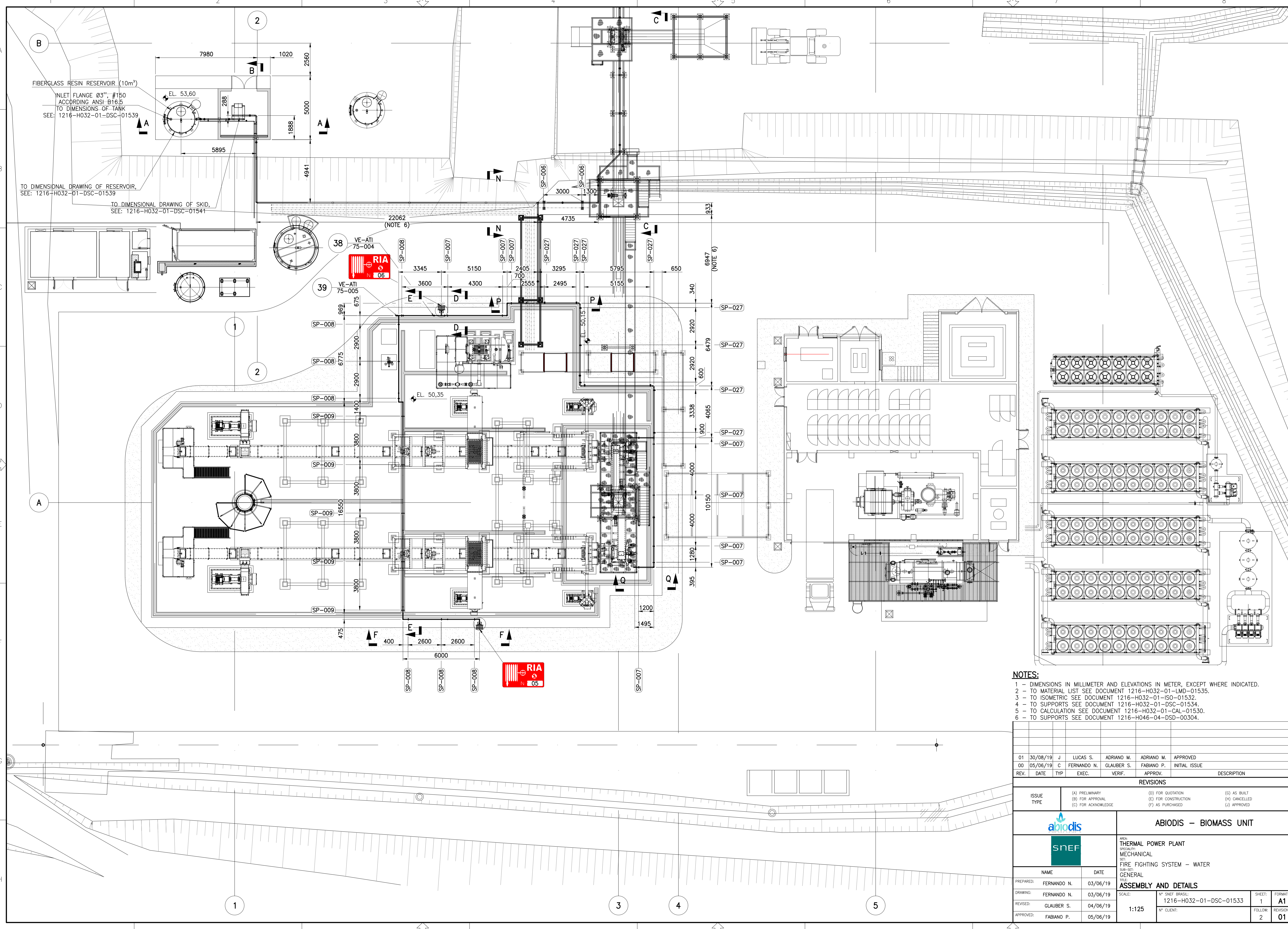


This document is property of
SNEF BRASIL
 Rua Desembargador Efraim Ferrnandes, 122
 30.499-900 Belo Horizonte, MG - BRASIL
 CNPJ nº 04.716.811/0001-01

Este documento é propriedade de
SNEF BRASIL
 Rua Desembargador Efraim Ferrnandes, 122
 30.499-900 Belo Horizonte, MG - BRASIL
 CNPJ nº 04.716.811/0001-01

1 RED 0.18
 2 YEL 0.35
 3 GRE 0.25
 4 CVA 0.13
 5 BLU 0.70
 6 MAG 1.00
 7 WHI 0.50
 8 GRA 0.10
 254 254 0.10



- NOTES:**
- 1 - DIMENSIONS IN MILLIMETER AND ELEVATIONS IN METER, EXCEPT WHERE INDICATED.
 - 2 - TO MATERIAL LIST SEE DOCUMENT 1216-H032-01-LMD-01535.
 - 3 - TO ISOMETRIC SEE DOCUMENT 1216-H032-01-ISO-01532.
 - 4 - TO SUPPORTS SEE DOCUMENT 1216-H032-01-DSC-01534.
 - 5 - TO CALCULATION SEE DOCUMENT 1216-H032-01-CAL-01530.
 - 6 - TO SUPPORTS SEE DOCUMENT 1216-H046-04-DSD-00304.

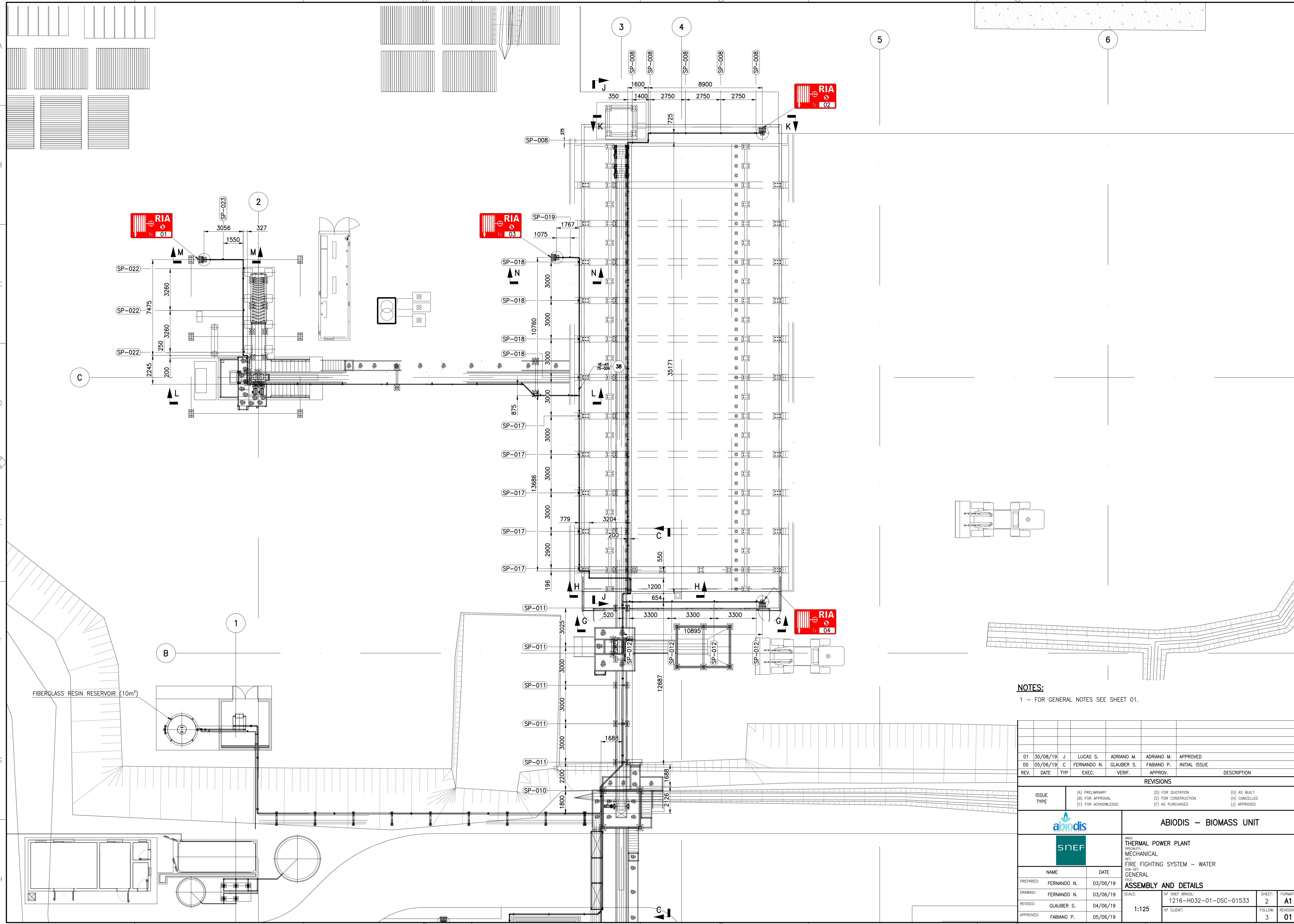
REV.	DATE	TYP.	EXEC.	VERIF.	APPROV.	INITIAL	ISSUE	DESCRIPTION
01	30/08/19	J	LUCAS S.	ADRIANO M.	ADRIANO M.		APPROVED	
00	05/06/19	C	FERNANDO N.	GLAUBER S.	FABIANO P.		INITIAL ISSUE	

REVISIONS			
ISSUE TYPE	(A) PRELIMINARY (B) FOR APPROVAL (C) FOR ACKNOWLEDGE	(D) FOR QUOTATION (E) FOR CONSTRUCTION (F) AS PURCHASED	(G) AS BUILT (H) CANCELLED (I) APPROVED

		ABIODIS - BIOMASS UNIT	
		AREA: THERMAL POWER PLANT SPECIALTY: MECHANICAL SET: FIRE FIGHTING SYSTEM - WATER SUB-SET: GENERAL TITLE: ASSEMBLY AND DETAILS	
PREPARED:	FERNANDO N.	DATE:	03/06/19
DRAWING:	FERNANDO N.	DATE:	03/06/19
REVISED:	GLAUBER S.	DATE:	04/06/19
APPROVED:	FABIANO P.	DATE:	05/06/19
SCALE:	1:125	Nº SNEF BRASIL:	1216-H032-01-DSC-01533
		Nº CLIENT:	
SHEET:	1	FORMAT:	A1
FOLLOW:	2	REVISION:	01

This document is property of
SNEF BRASIL
 Rua Desembargador Efraim Ferraz, 122
 30.491-000 Belo Horizonte, MG - BRASIL
 CNPJ nº 04.718.010/0001-01

Este documento é propriedade de
SNEF BRASIL
 Rua Desembargador Efraim Ferraz, 122
 30.491-000 Belo Horizonte, MG - BRASIL
 CNPJ nº 04.718.010/0001-01



NOTES:
 1 - FOR GENERAL NOTES SEE SHEET 01.

REV.	DATE	TYP.	EXEC.	VERIF.	APPROV.	DESCRIPTION
01	30/08/19	J	LUCAS S.	ADRIANO M.	ADRIANO M.	APPROVED
00	05/06/19	C	FERNANDO N.	GLAUBER S.	FABIANO P.	INITIAL ISSUE

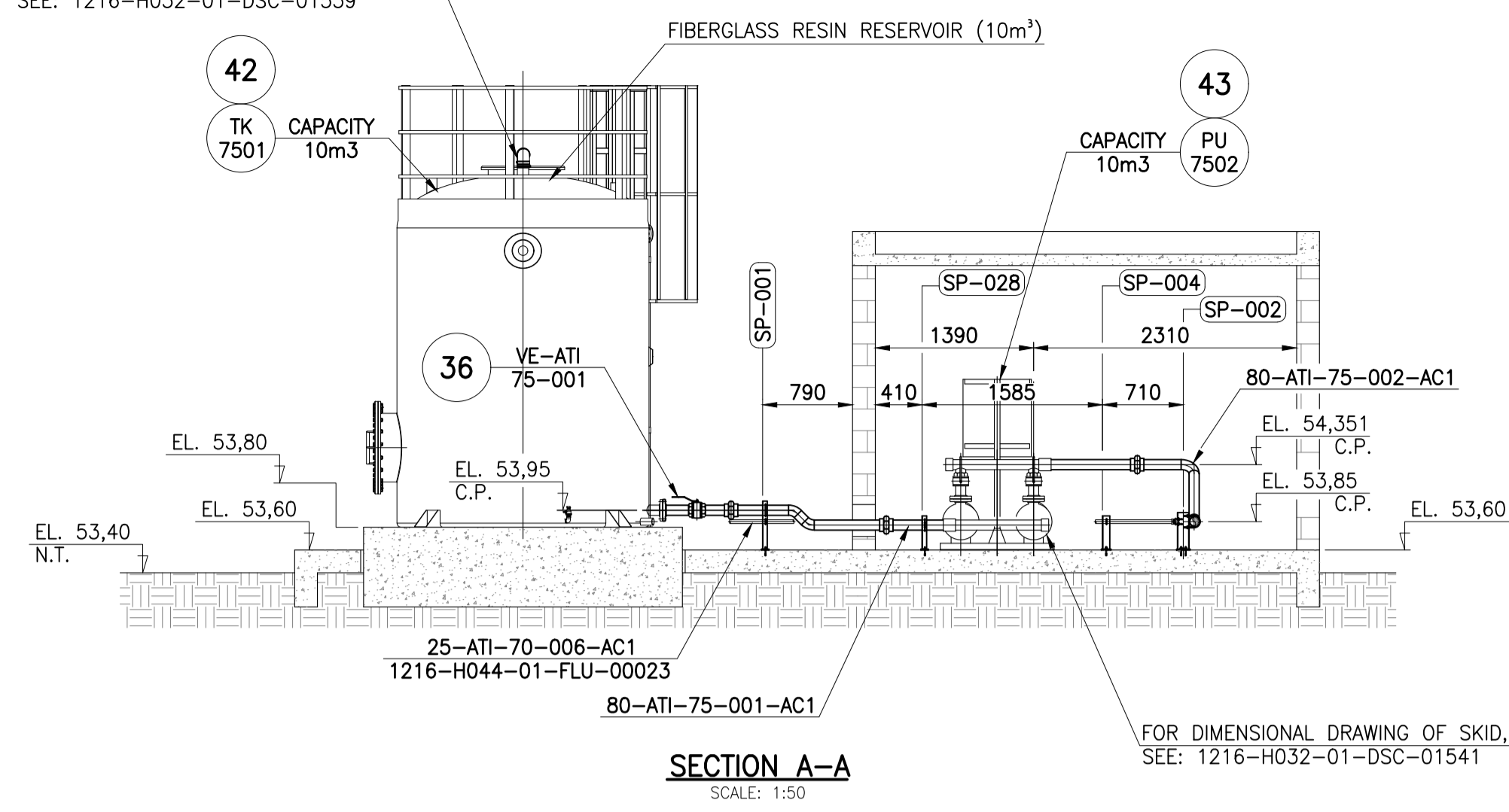
REVISIONS					
ISSUE TYPE	(A) PRELIMINARY (B) FOR APPROVAL (C) FOR ACKNOWLEDGE	(D) FOR QUOTATION (E) FOR CONSTRUCTION (F) AS PURCHASED	(G) AS BUILT (H) CANCELLED (I) APPROVED		

		ABIODIS - BIOMASS UNIT			
		AREA: THERMAL POWER PLANT SPECIALTY: MECHANICAL SET: FIRE FIGHTING SYSTEM - WATER SUB-SET: GENERAL TITLE: ASSEMBLY AND DETAILS			
PREPARED:	FERNANDO N.	DATE:	03/06/19	SCALE:	1:125
DRAWING:	FERNANDO N.	DATE:	03/06/19	Nº SNEF BRASIL:	1216-H032-01-DSC-01533
REVISED:	GLAUBER S.	DATE:	04/06/19	Nº CLIENT:	
APPROVED:	FABIANO P.	DATE:	05/06/19	SHEET:	2
				FOLLOW:	3
				REVISION:	01

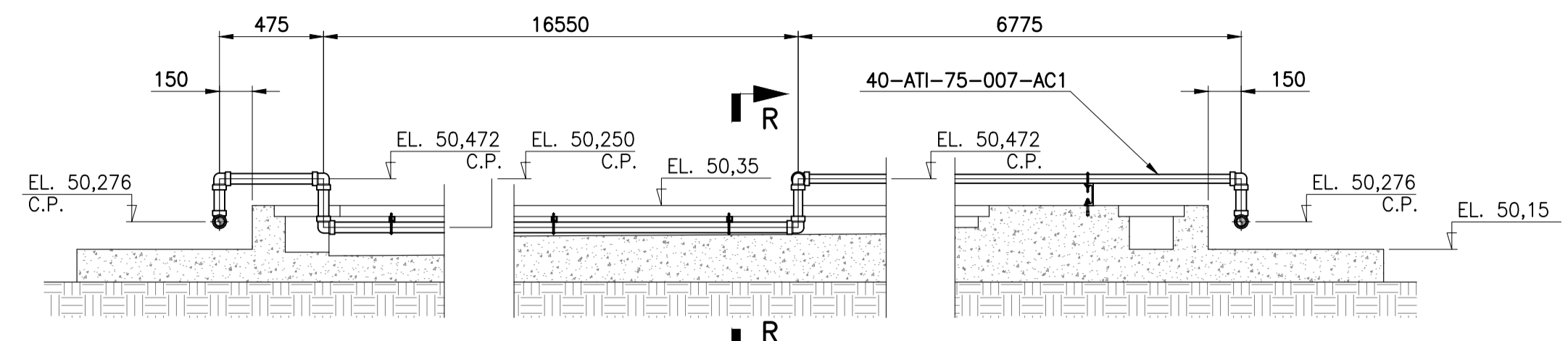
1 RED 0.18
 2 YEL 0.35
 3 GRE 0.25
 4 CVA 0.13
 5 BLU 0.70
 6 MAG 1.00
 7 WHI 0.50
 8 GRA 0.10
 254 254 0.10

Este documento é propriedade de SNEF BRASIL. Rua Desembargador Efraim Ferrnandes, 122 30.499-050 Belo Horizonte, MG - BRASIL.

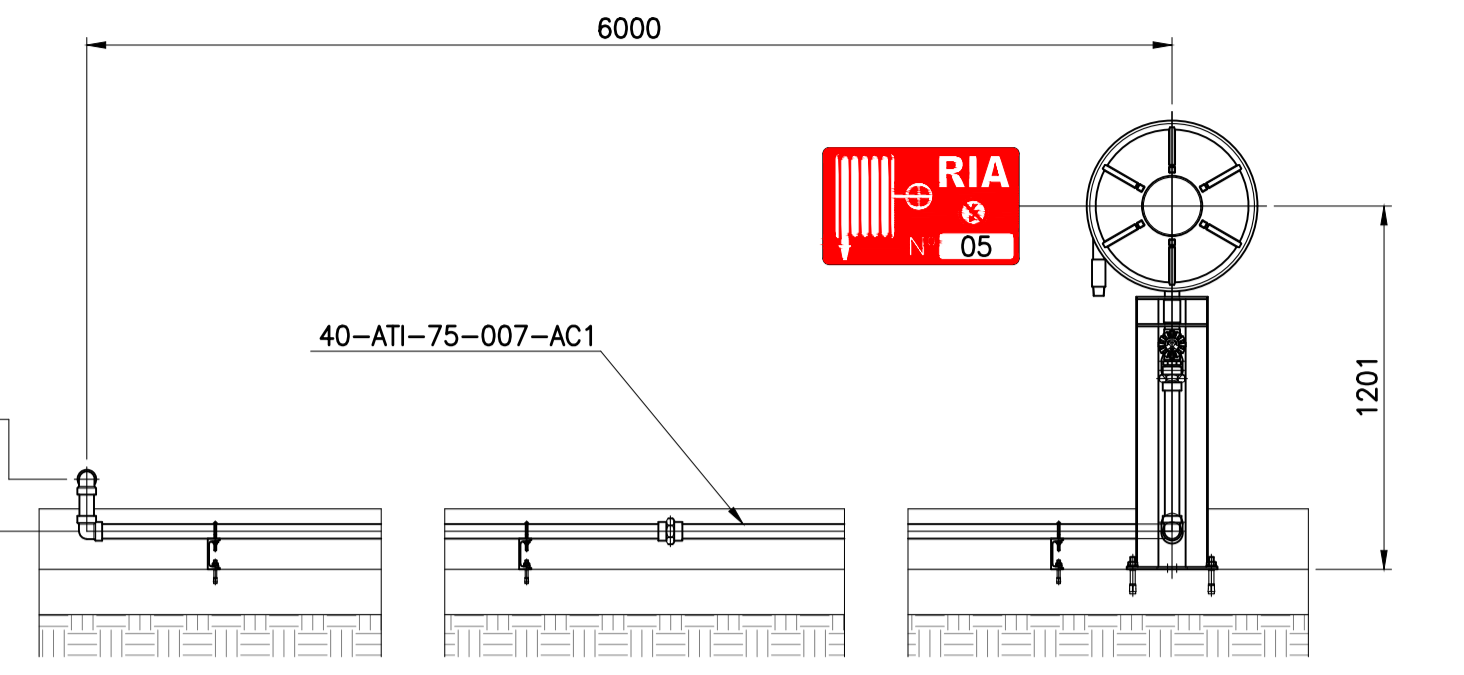
FOR DIMENSIONAL DRAWING OF RESERVOIR, SEE: 1216-H032-01-DSC-01539



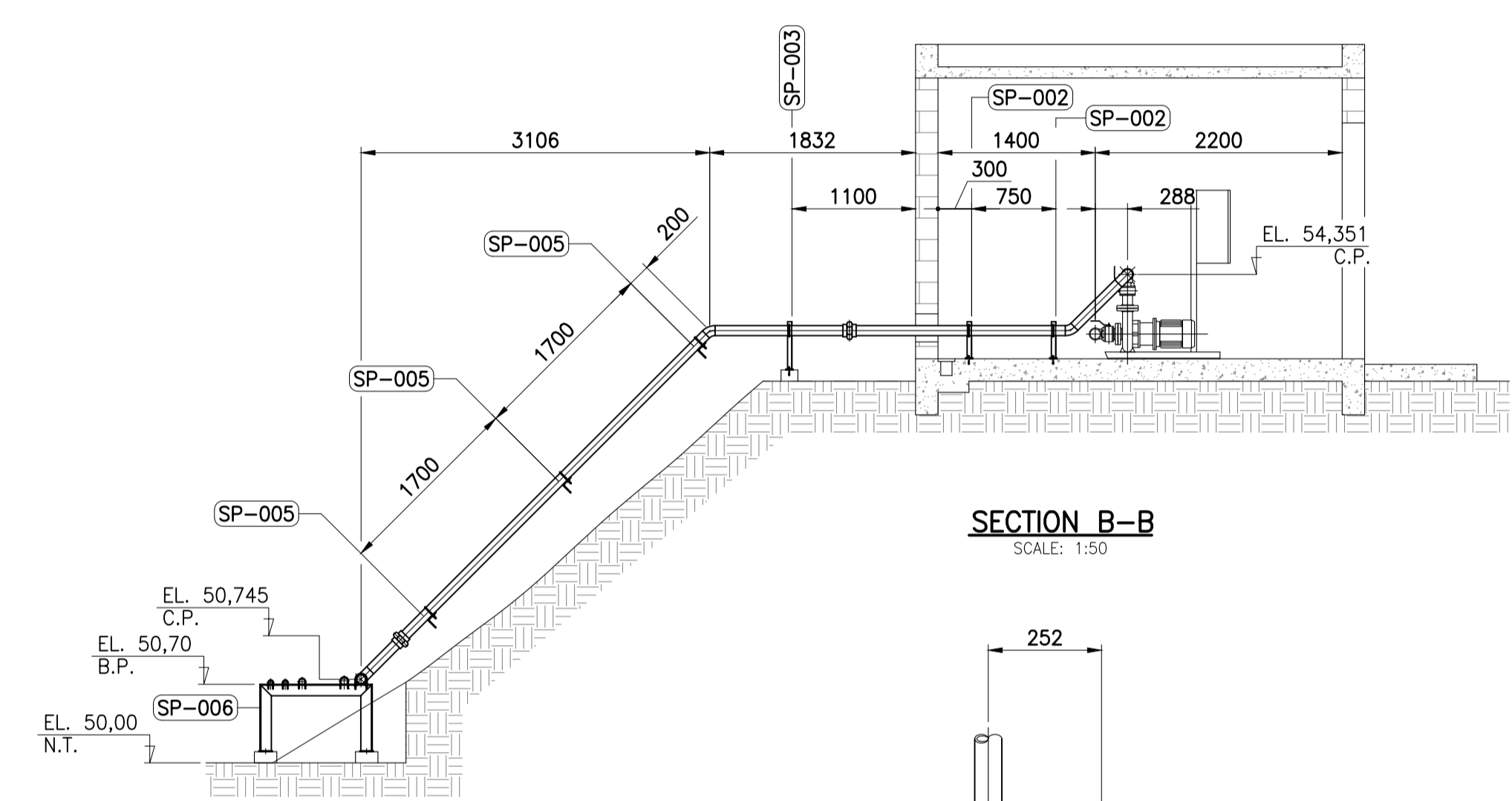
SECTION A-A
SCALE: 1:50



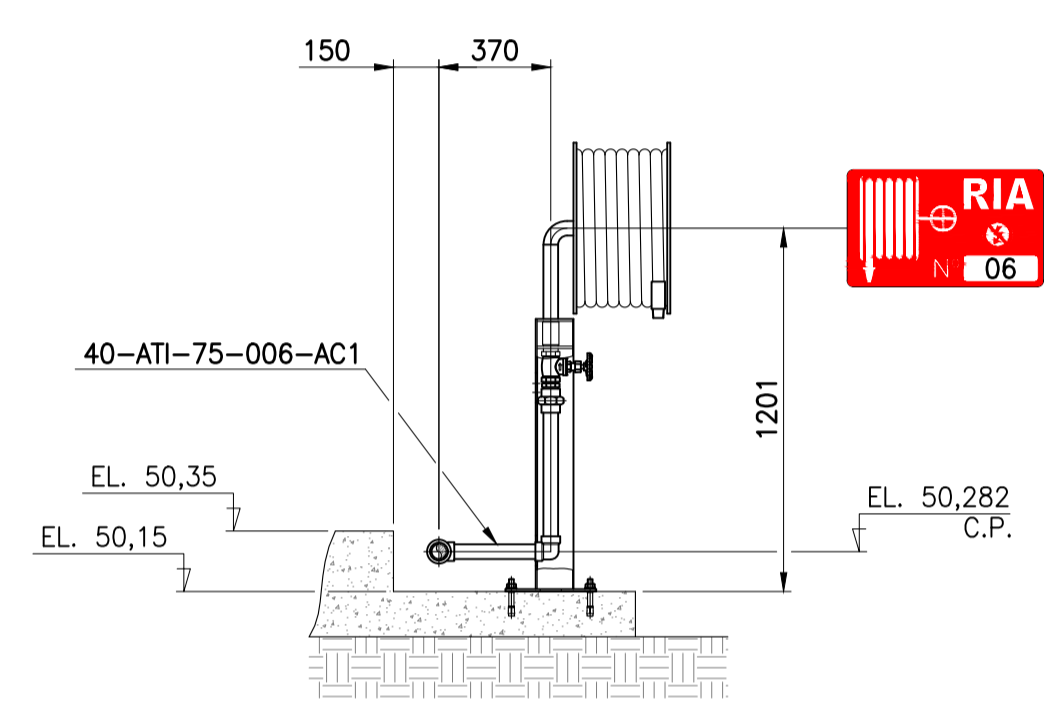
SECTION E-E
SCALE: 1:25



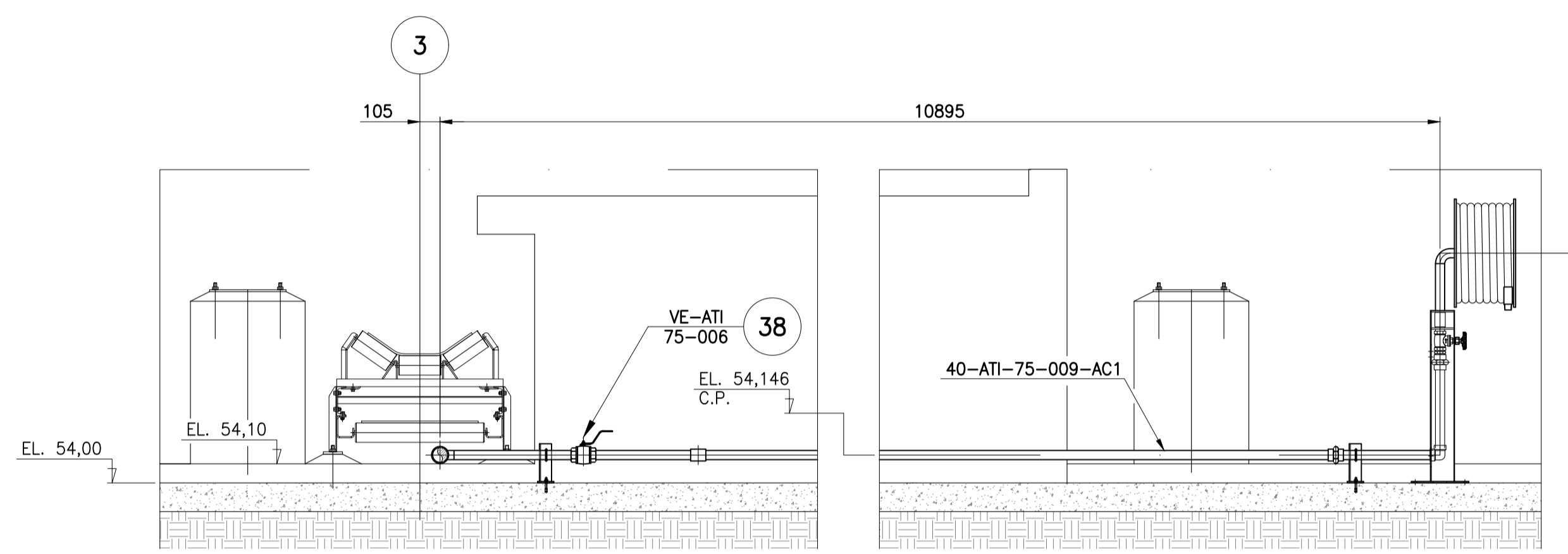
SECTION F-F
SCALE: 1:25



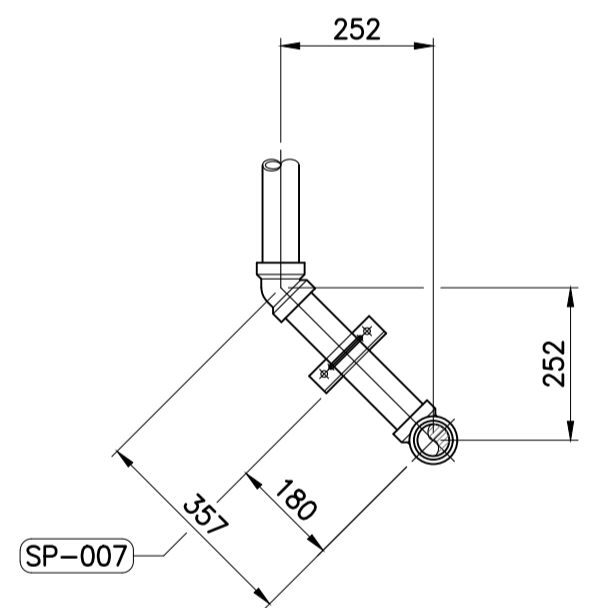
SECTION B-B
SCALE: 1:50



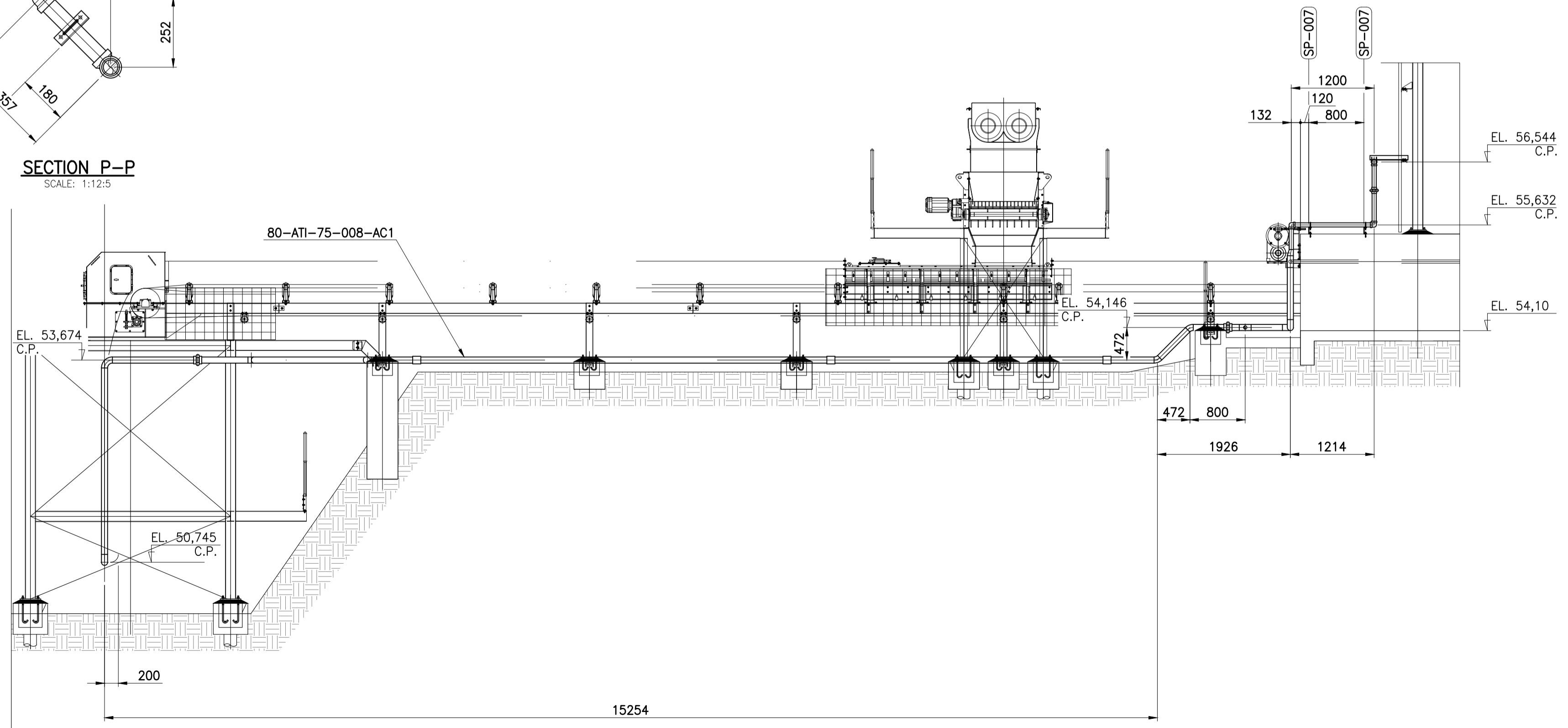
SECTION D-D
SCALE: 1:25



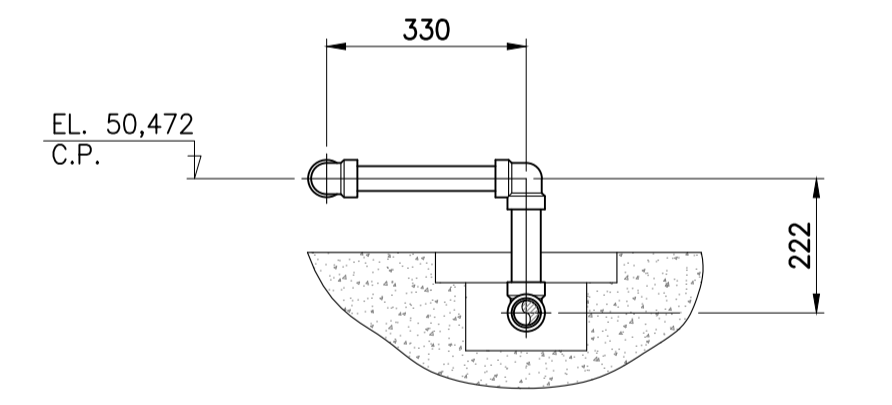
SECTION G-G
SCALE: 1:25



SECTION P-P
SCALE: 1:12.5



SECTION C-C
SCALE: 1:50



SECTION R-R
SCALE: 1:12.5

NOTES:
1 - FOR GENERAL NOTES SEE SHEET 01.

REV.	DATE	TYP.	EXEC.	VERIF.	APPROV.	INITIAL ISSUE	DESCRIPTION
01	30/08/19	J	LUCAS S.	ADRIANO M.	ADRIANO M.	APPROVED	
00	05/06/19	C	FERNANDO N.	GLAUBER S.	FABIANO P.	INITIAL ISSUE	

REVISIONS			
ISSUE TYPE	(A) PRELIMINARY (B) FOR APPROVAL (C) FOR ACKNOWLEDGE	(D) FOR QUOTATION (E) FOR CONSTRUCTION (F) AS PURCHASED	(G) AS BUILT (H) CANCELLED (I) APPROVED

		ABIODIS - BIOMASS UNIT	
		AREA: THERMAL POWER PLANT SPECIALTY: MECHANICAL SET: FIRE FIGHTING SYSTEM - WATER SUB-SET: GENERAL	
NAME	DATE	SCALE	TITLE
PREPARED: FERNANDO N.	03/06/19	1:50	ASSEMBLY AND DETAILS
DRAWING: FERNANDO N.	03/06/19		
REVISED: GLAUBER S.	04/06/19		
APPROVED: FABIANO P.	05/06/19		

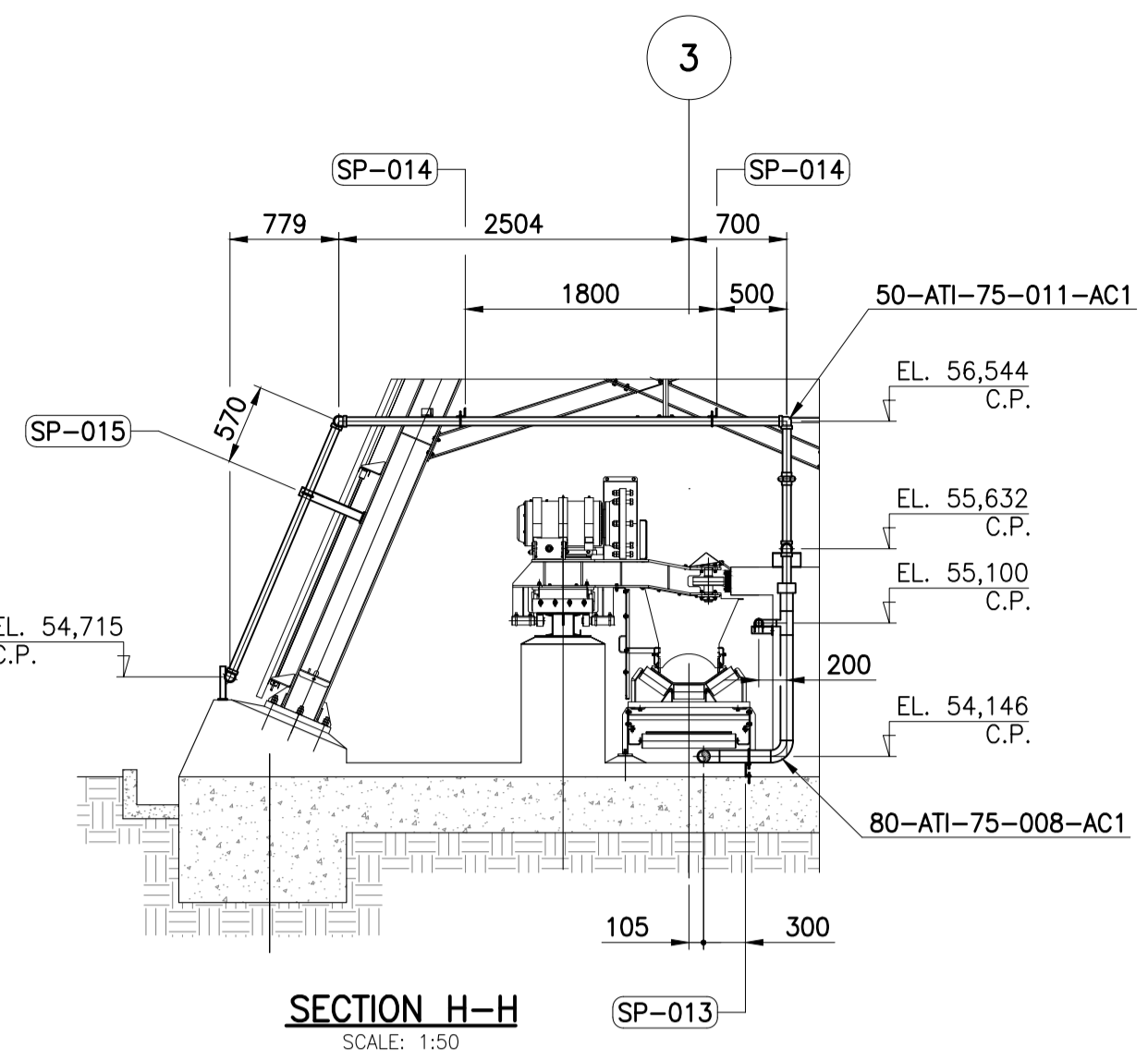
N° SNEF BRASIL:	1216-H032-01-DSC-01533	SHEET:	3	FORMAT:	A1
N° CLIENT:		FOLLOW:	4	REVISION:	01

Este documento é propriedade de SNEF BRASIL. Rua Desembargador Efraim Ferrnandes, 122 30.499-050 Belo Horizonte, MG - BRASIL.

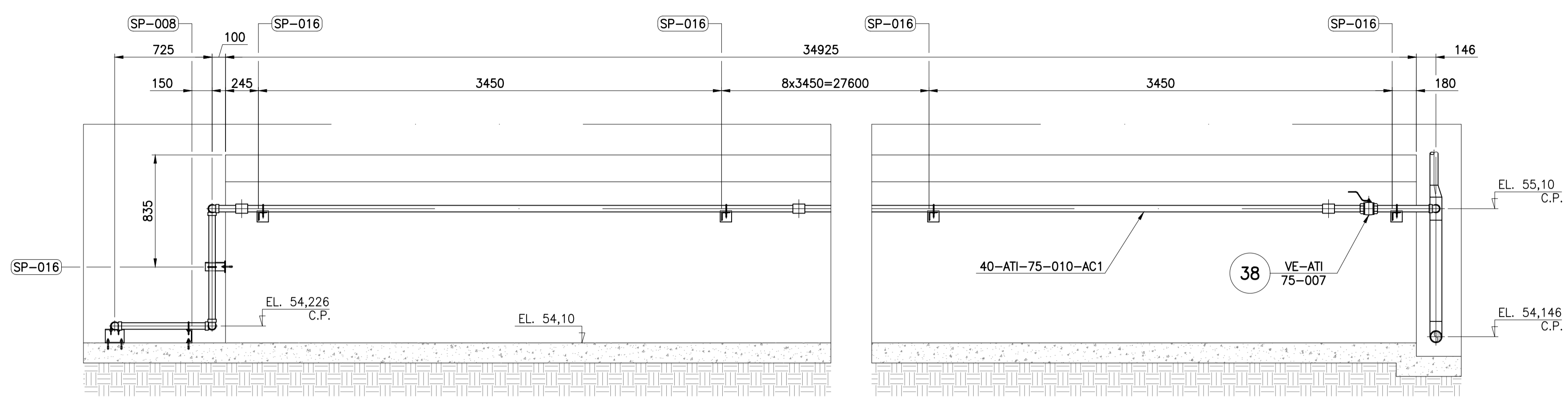
This document is property of SNEF BRASIL. Rua Desembargador Efraim Ferraz, 122 - 30.499-050 Belo Horizonte, MG - BRASIL.

Este documento é propriedade de SNEF BRASIL. Rua Desembargador Efraim Ferraz, 122 - 30.499-050 Belo Horizonte, MG - BRASIL.

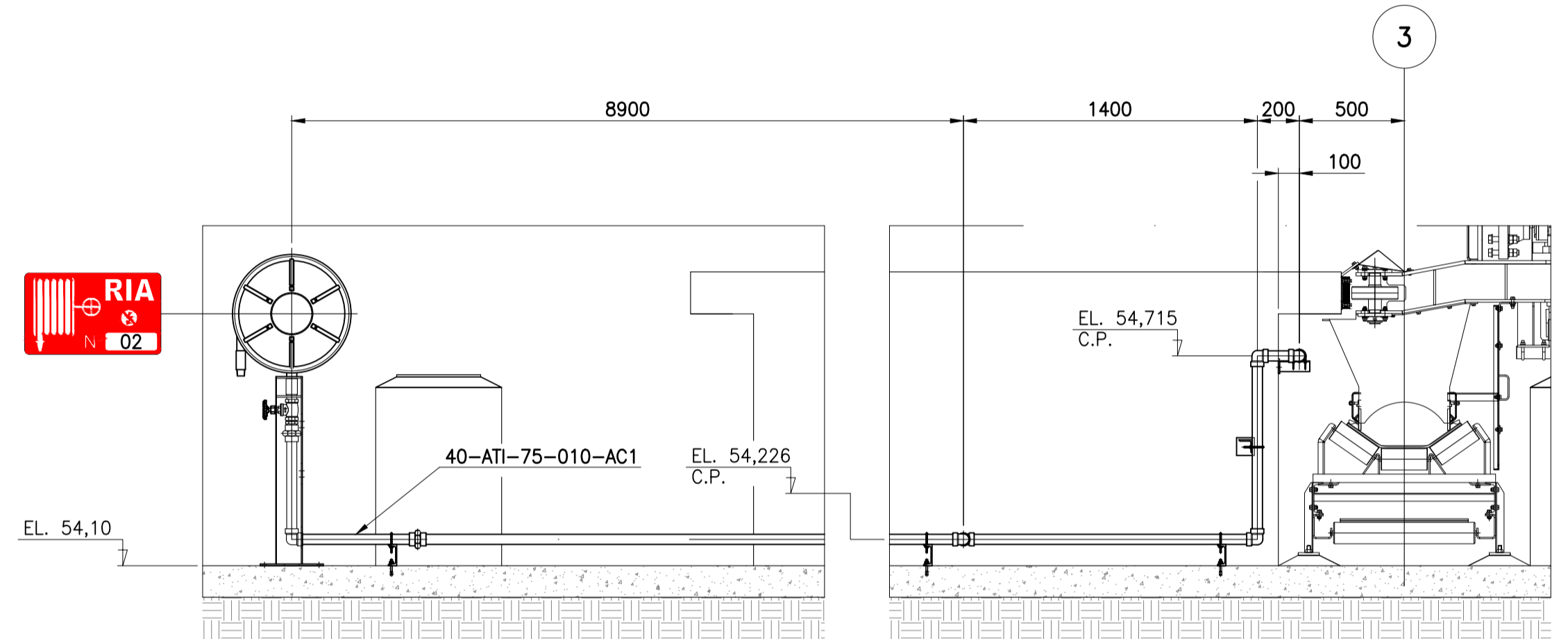
1 RED 0.18
 2 YEL 0.35
 3 GRE 0.25
 4 CVA 0.13
 5 BLU 0.70
 6 MAG 1.00
 7 WHI 0.50
 8 GRA 0.10
 254 254 0.10



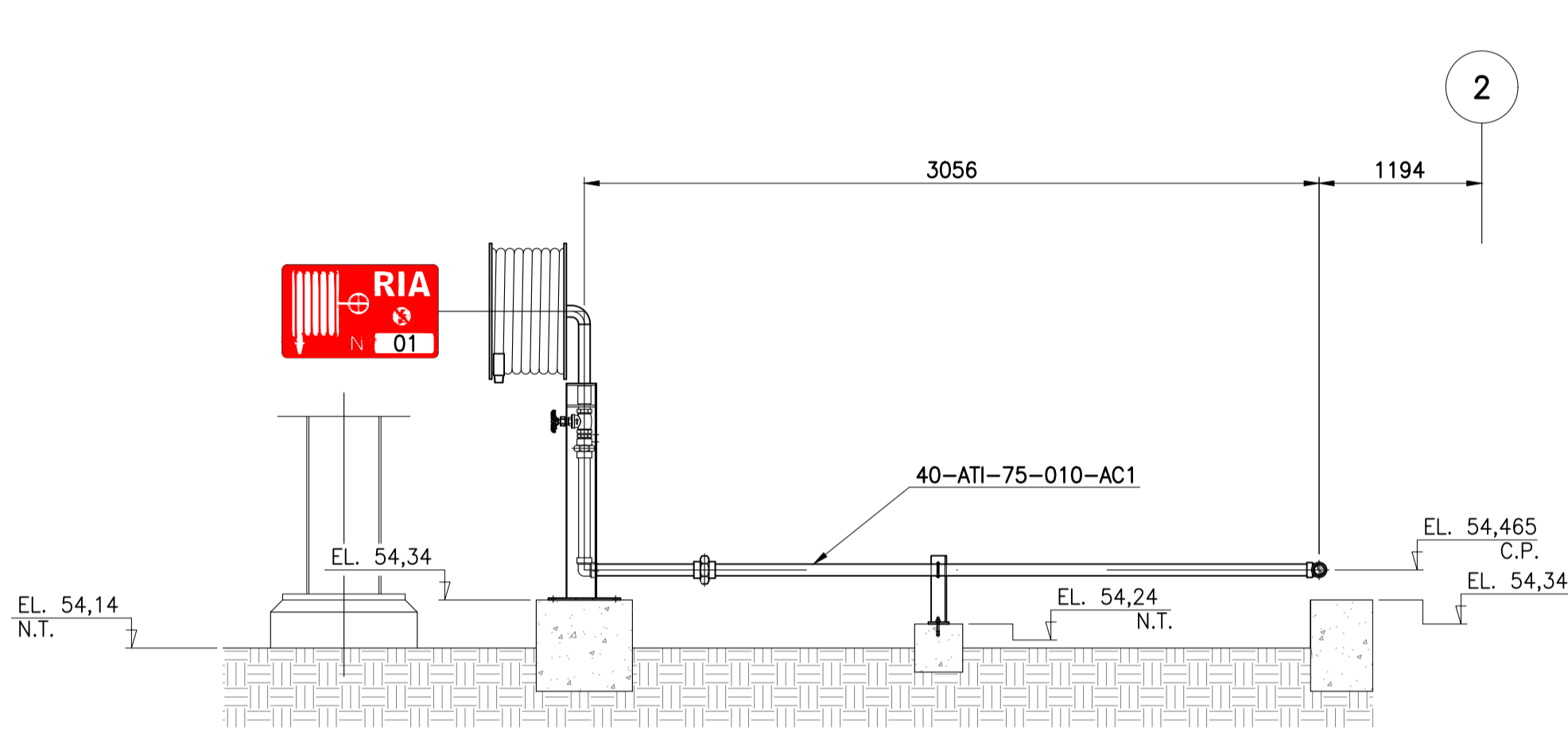
SECTION H-H
SCALE: 1:50



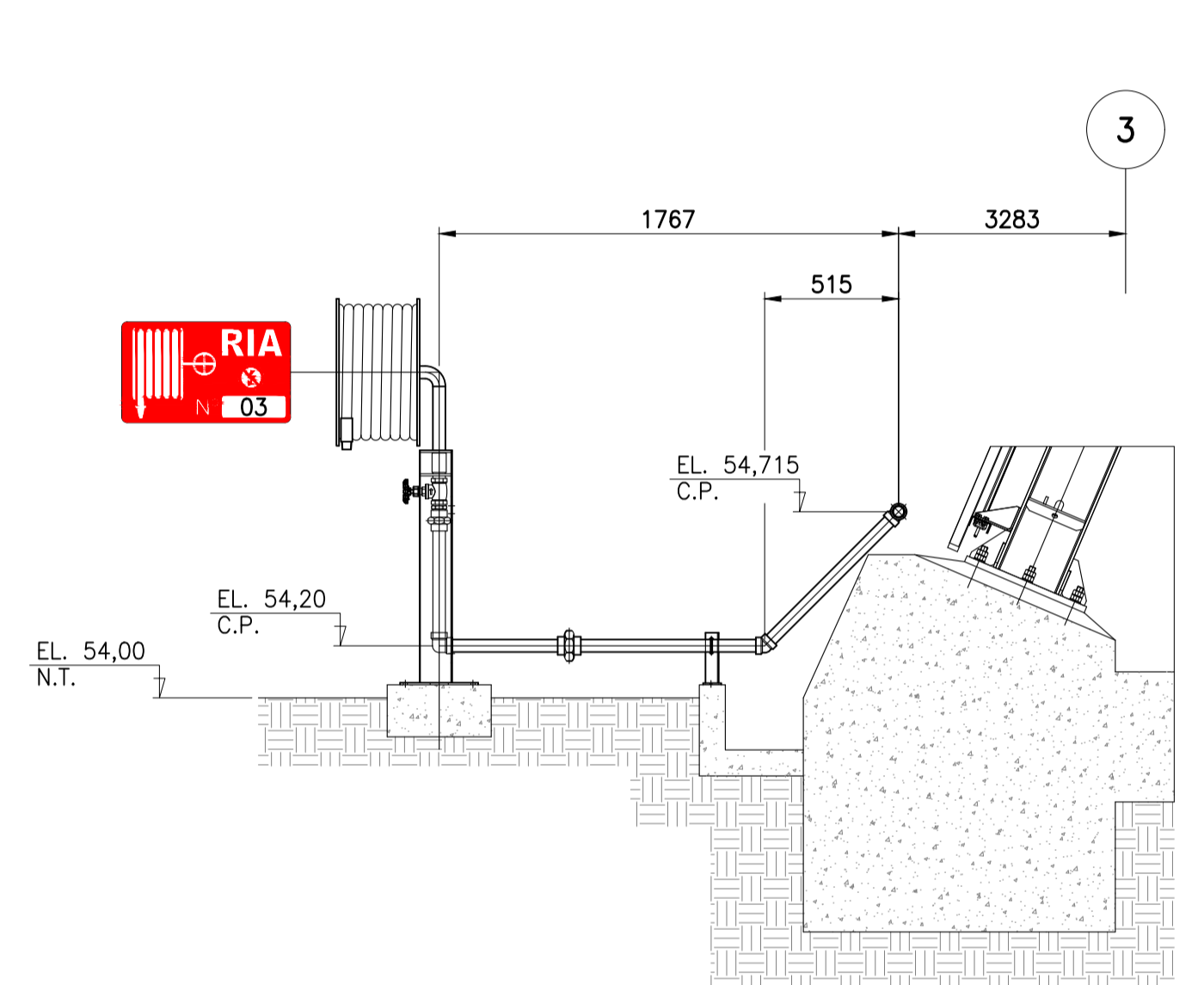
SECTION J-J
SCALE: 1:25



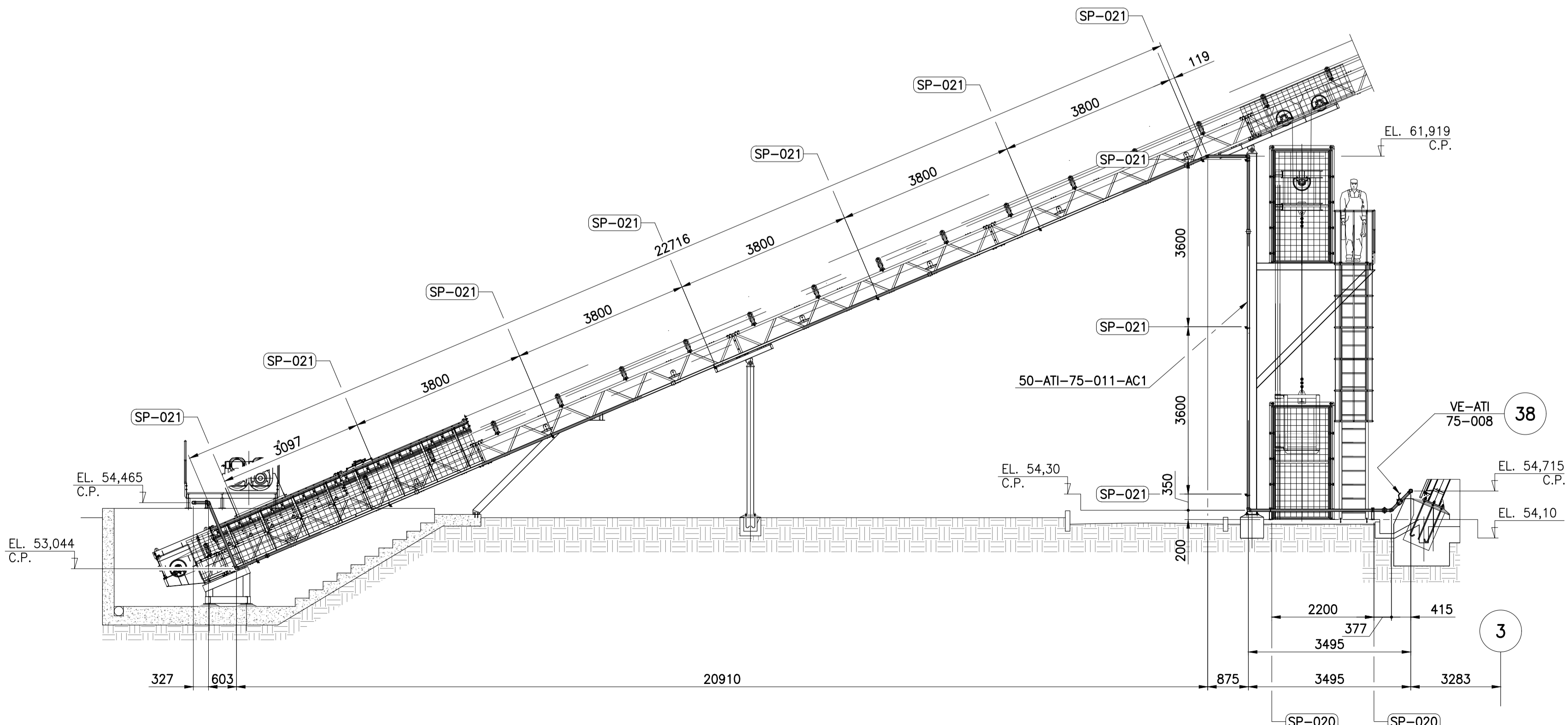
SECTION K-K
SCALE: 1:25



SECTION M-M
SCALE: 1:25



SECTION N-N
SCALE: 1:50



SECTION L-L
SCALE: 1:75

NOTES:
1 - FOR GENERAL NOTES SEE SHEET 01.

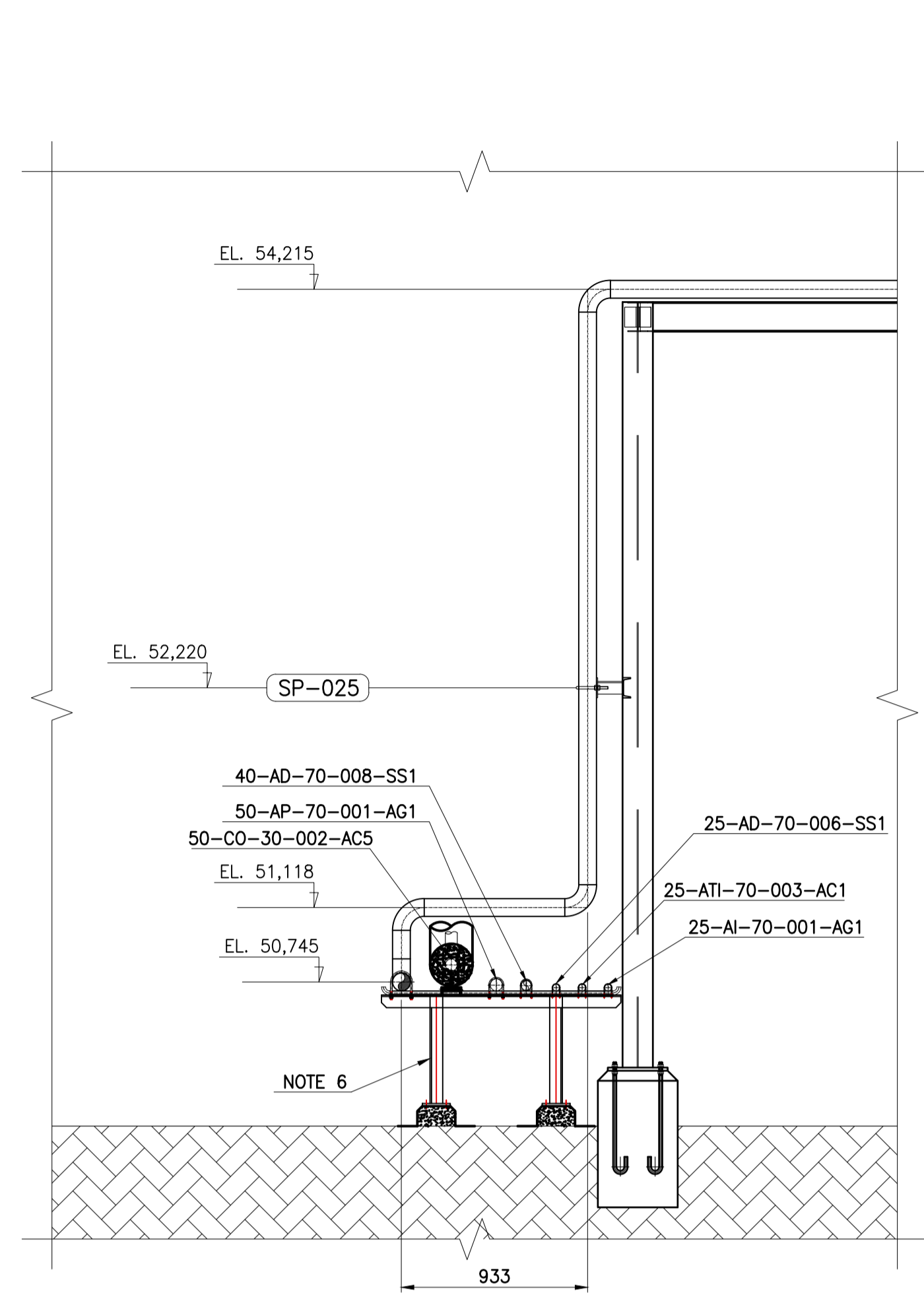
REV.	DATE	TYP	EXEC.	VERIF.	APPROV.	DESCRIPTION
01	30/08/19	J	LUCAS S.	ADRIANO M.	ADRIANO M.	APPROVED
00	05/06/19	C	FERNANDO N.	GLAUBER S.	FABIANO P.	INITIAL ISSUE

ISSUE TYPE	(A) PRELIMINARY (B) FOR APPROVAL (C) FOR ACKNOWLEDGE	(D) FOR QUOTATION (E) FOR CONSTRUCTION (F) AS PURCHASED	(G) AS BUILT (H) CANCELLED (I) APPROVED
------------	------------------------------------------------------------	---------------------------------------------------------------	-----------------------------------------------

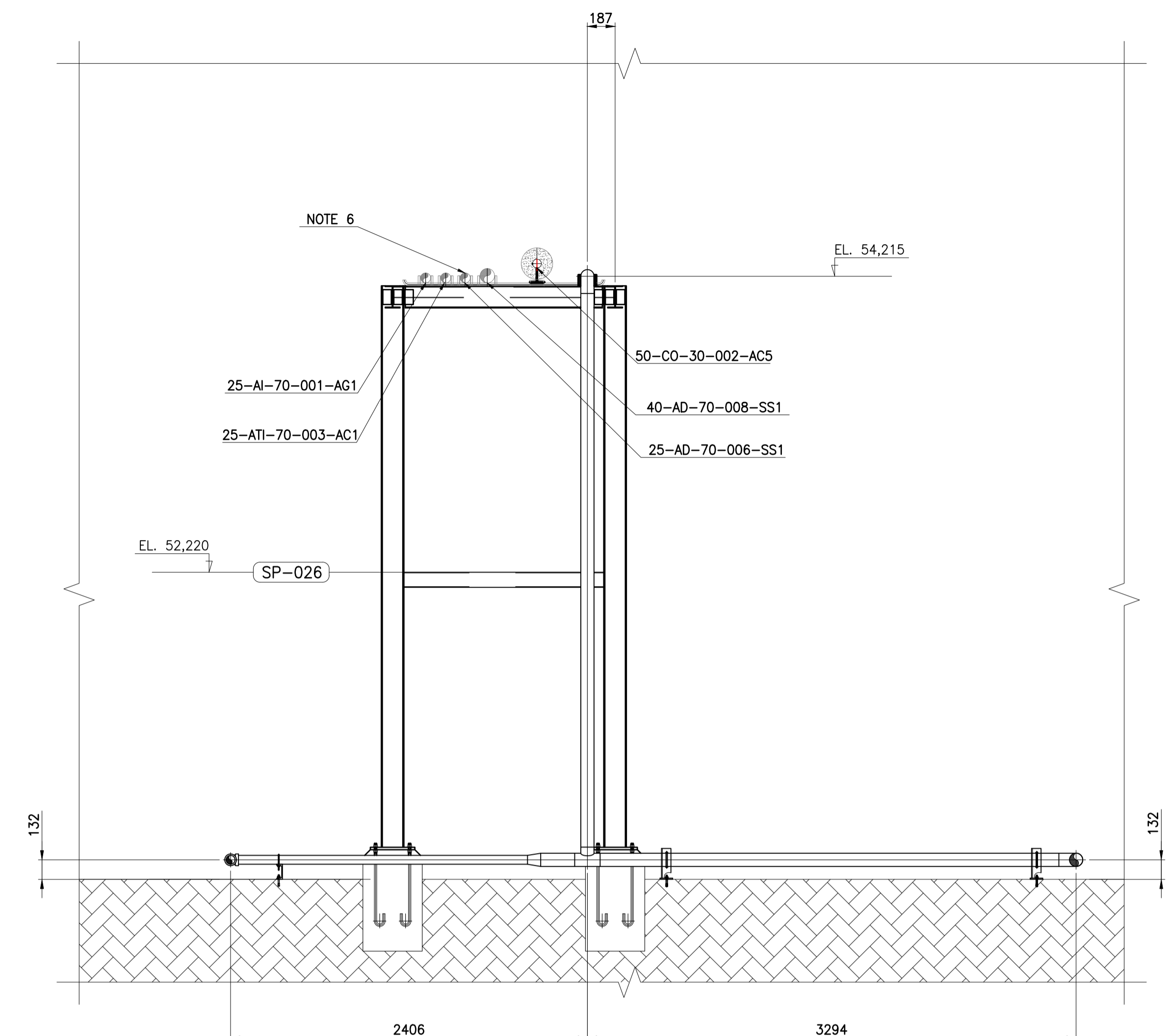
		ABIODIS - BIOMASS UNIT	
NAME: FERNANDO N. DATE: 03/06/19		TÍTULO: THERMAL POWER PLANT ESPECIALIDADE: MECHANICAL SET: FIRE FIGHTING SYSTEM - WATER SUB-SET: GENERAL	
DRAWING: FERNANDO N. SCALE: 1:50		Nº CLIENT: 1216-H032-01-DSC-01533	
REVISED: GLAUBER S. 04/06/19		SHEET: 4 OF 4	
APPROVED: FABIANO P. 05/06/19		FOLLOW: 01	

This document is property of
SNEF BRASIL
 Rua Desembargador Efraim Ferrnandes, 122
 30.499-000 Belo Horizonte, MG - BRASIL
 CNPJ nº 04.191.847/0001-01

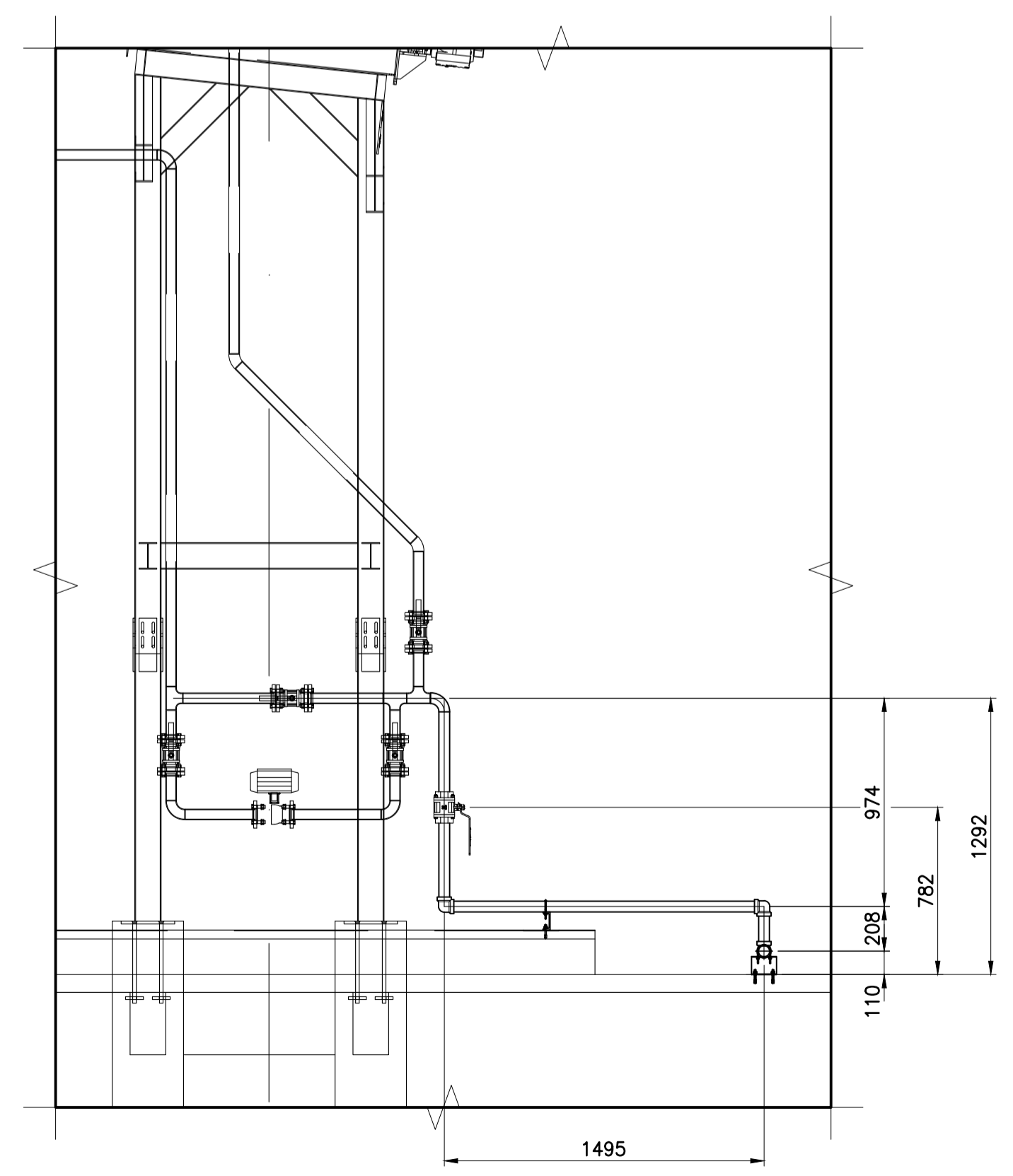
Este documento é propriedade de
SNEF BRASIL
 Rua Desembargador Efraim Ferrnandes, 122
 30.499-000 Belo Horizonte, MG - BRASIL
 CNPJ nº 04.191.847/0001-01



SECTION L-L
 ESC.: 1:25



SECTION N-N
 ESC.: 1:25



SECTION P-P
 ESC.: 1:25

NOTES:
 1 - FOR GENERAL NOTES SEE SHEET 01.

REV.	DATE	TYP	EXEC.	VERIF.	APPROV.	DESCRIPTION
01	30/08/19	J	LUCAS S.	ADRIANO M.	ADRIANO M.	APPROVED
00	05/06/19	C	FERNANDO N.	GLAUBER S.	FABIANO P.	INITIAL ISSUE

REVISIONS						
ISSUE TYPE	(A) PRELIMINARY (B) FOR APPROVAL (C) FOR ACKNOWLEDGE	(D) FOR QUOTATION (E) FOR CONSTRUCTION (F) AS PURCHASED	(G) AS BUILT (H) CANCELLED (I) APPROVED			

		ABIODIS - BIOMASS UNIT				
		AREA: THERMAL POWER PLANT SPECIALTY: MECHANICAL SET: FIRE FIGHTING SYSTEM - WATER SUB-SET: GENERAL TITLE: ASSEMBLY AND DETAILS				
PREPARED:	FERNANDO N.	DATE:	03/06/19	SCALE:	INDICATED	Nº SNEF BRASIL: 1216-H032-01-DSC-01533
REVISOR:	GLAUBER S.	DATE:	04/06/19	SCALE:	INDICATED	Nº CLIENT:
APPROVED:	FABIANO P.	DATE:	05/06/19	SCALE:	INDICATED	Nº CLIENT:

SHEET:	4	FORMAT:	A1
FOLLOW:	-	REVISION:	01

1 RED 0.18
 2 YEL 0.35
 3 GRE 0.25
 4 CVA 0.13
 5 BLU 0.70
 6 MAG 1.00
 7 WHI 0.50
 8 GRA 0.10
 254 254 0.10